

Owner's Manual

Extreme Duty Quick Release Fire Extinguisher Bracket

(Models NB300 and NB425)



NB300



NB425

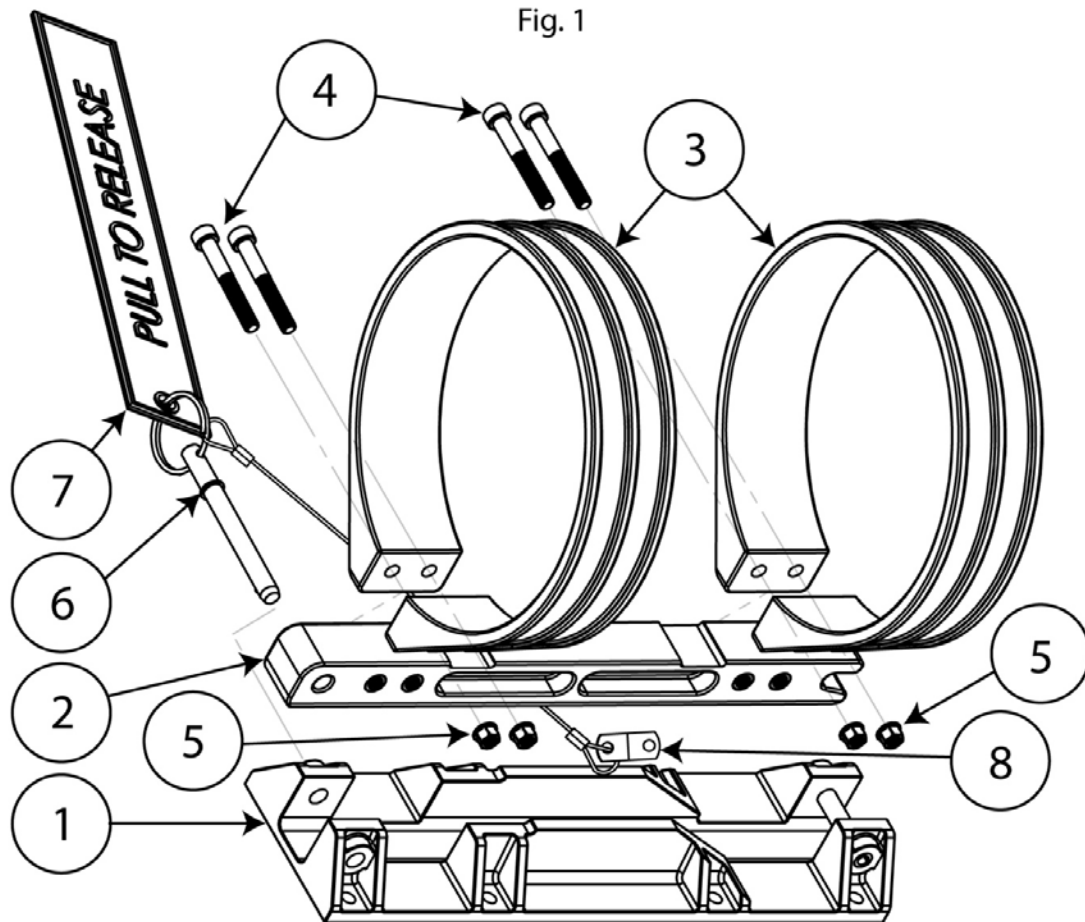
See product video at www.h3rperformance.com



Thank you for your purchase! Our Extreme Duty bracket provides a secure way to install a fire extinguisher in your vehicle while allowing quick deployment.

Illustrated Parts List

Configuration for mounting horizontally



Item No.	Part No.	Description	Qty.
1	NMF	Nylon Mount Flat	1
2	NBB	Nylon Bracket Back	1
3	NS	Nylon Strap	2
4	SHCS	10-32 x 1.5" Stainless Socket Head Cap Screw*	4
5	JNT	10-332 Jet Nut*	4
6	QRP	Quick Release Pin	1
7	FLG	"Pull to Release" Flag	1
8	LAN	12" Steel Wire Lanyard with Tab	1

***Tools needed for assembly**

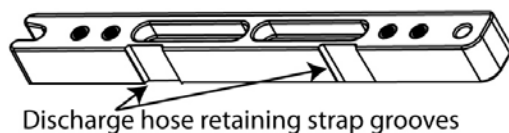
Item No. 4 - 5/32" hex head wrench; Item No. 5 - thin wall 1/4" socket

Assembly and Installation Instructions

1. Place two **NS** (Nylon Straps) around the fire extinguisher bottle. One **NS** should be positioned above the fire extinguisher label and the other just below the label. If the extinguisher is equipped with a discharge hose, the bottom **NS** should be located under the discharge hose retaining strap (see model NB425 image on owner's manual cover).
2. To install horizontally (Fig. 1, p.2), position the **NBB** (Nylon Bracket Back) between the **NS** ends with the slotted end pointing towards the extinguisher bottom.

To install vertically (Fig. 2, p.4), position the **NBB** between the **NS** ends with the slotted end pointing upwards. This arrangement will locate the **QRP** (Quick Release Pin) at the extinguisher base, and the extinguisher will stay in place even when the **QRP** is released.

Both horizontal and vertical installations require that the side of the **NBB** with the discharge hose retaining strap grooves be positioned against the extinguisher cylinder.



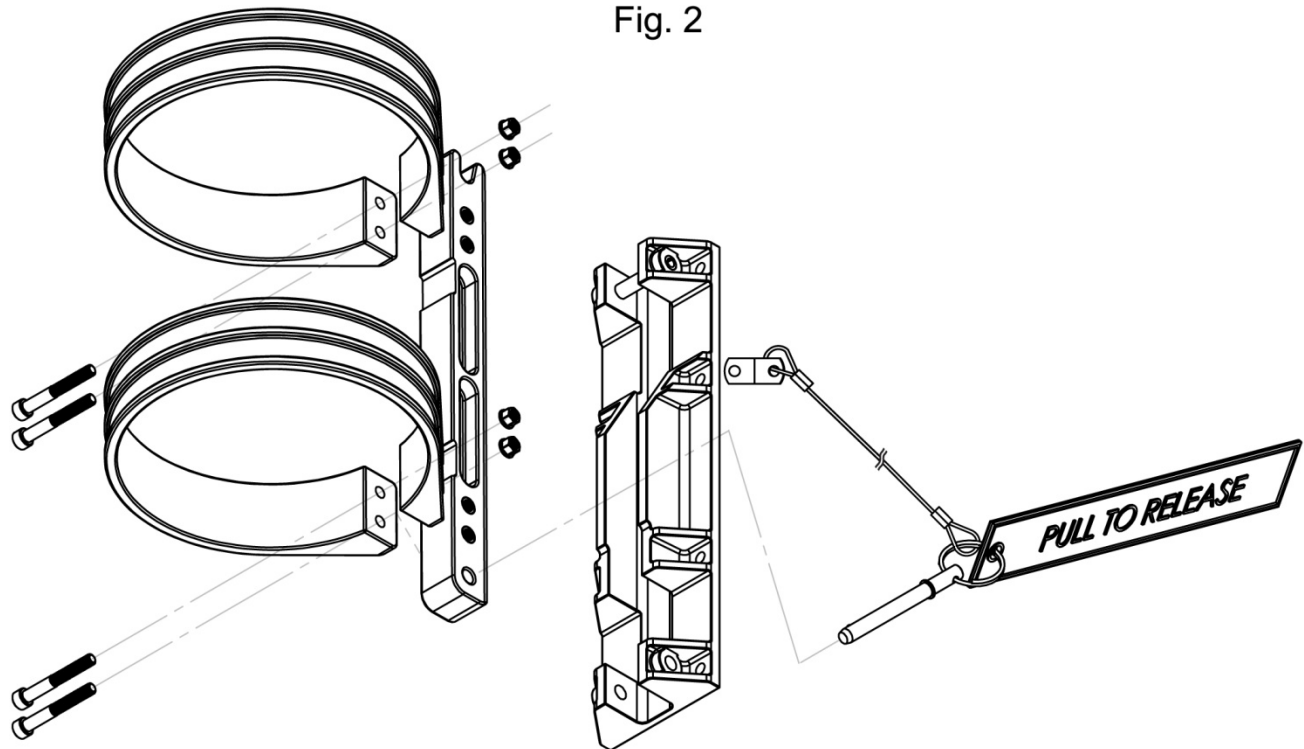
3. If the extinguisher is equipped with a discharge hose, position the hose retaining strap to fit into the groove in the **NBB**.
4. Align the **NS** and the **NBB** so that the back of the label is unobstructed.
5. Using a 4mm hex-head wrench, insert the four **SHCS** (Socket Head Cap Screws) through the **NS** from the side farthest from the threaded brass inserts in the **NBB**. Thread the four **SHCS** into the **NBB** until the end just enters the second **NS** hole; then tighten all four **SHCS**.

IMPORTANT: Thread the **SHCS** from the right side of the **NBB** for horizontal installations; from the left side for vertical installations. **DO NOT OVER TIGHTEN.**

6. Using a thin wall 1/4" socket (not supplied), fasten the four **JNT** (Jet Nuts) to the **SHCS**. **DO NOT OVER TIGHTEN.**
7. Attach the **FLG** (Flag) and the **LAN** (Lanyard) to the **QRP**.
8. Position the **NMF** (Nylon Mount Flat) so that the fixed pin end is aligned with the slotted end of the **NBB**. Slide the **NMF** onto the **NBB** and insert the **QRP**.
9. Test the fit of the Bracket/Fire extinguisher assembly in your desired location and make sure that the **QRP** and **FLG** are accessible and can be pulled out to release the extinguisher from the bracket.
10. Position the tab attached to the **LAN** over a mounting hole and securely attach the **NMF** to the mounting surface using eight appropriate fasteners (not supplied).
11. After installation, confirm that the extinguisher can be quickly deployed.

Configuration for Vertical Mounting

- The NBB positioned with the slotted end at the top
- The SHCS threaded from the left side of the NBB



DISCLAIMER: A professional should install and/or inspect installation of this product. In no event may H3R Performance be held responsible for unsafe installation, inspection, testing, operation, and maintenance practices of users employing this product or for any property damage or personal injuries arising out of the use or handling of this product by anyone other than trained users having appropriate technical and mechanical expertise.

Limited Warranty

H3R Performance, Inc. (“H3R”) warrants this product for a period of one (1) year from the date of purchase to be free from defects in material and workmanship. During the warranty period any such defects will be repaired or the defective mount replaced. This warranty does not cover defects resulting from modification, alteration, misuse, exposure to corrosive conditions or improper installation or maintenance. ALL IMPLIED WARRANTIES, INCLUDING, BUT NOT LIMITED TO, WARRANTIES OF FITNESS FOR PURPOSE AND MERCHANTABILITY, ARE LIMITED TO THE TIME PERIODS STATED ABOVE. IN NO EVENT SHALL H3R BE LIABLE TO INCIDENTAL OR CONSEQUENTIAL DAMAGES. H3R neither assumes nor authorizes any representative or other person to assume for it, any obligation or liability other than as expressly set forth herein. This warranty gives you specific legal rights and you may have other rights which vary from state to state. To obtain performance of the obligation of this warranty, write to H3R Performance, Inc., 103 H Street, Petaluma, CA 94952, or email H3Rinfo@H3RPerformance.com for instructions.