

## Owner's Manual / Installation Guide

### Extreme Duty Quick Release Fire Extinguisher Bracket

(Models NBR301, NBR302, NBR401 and NBR402)



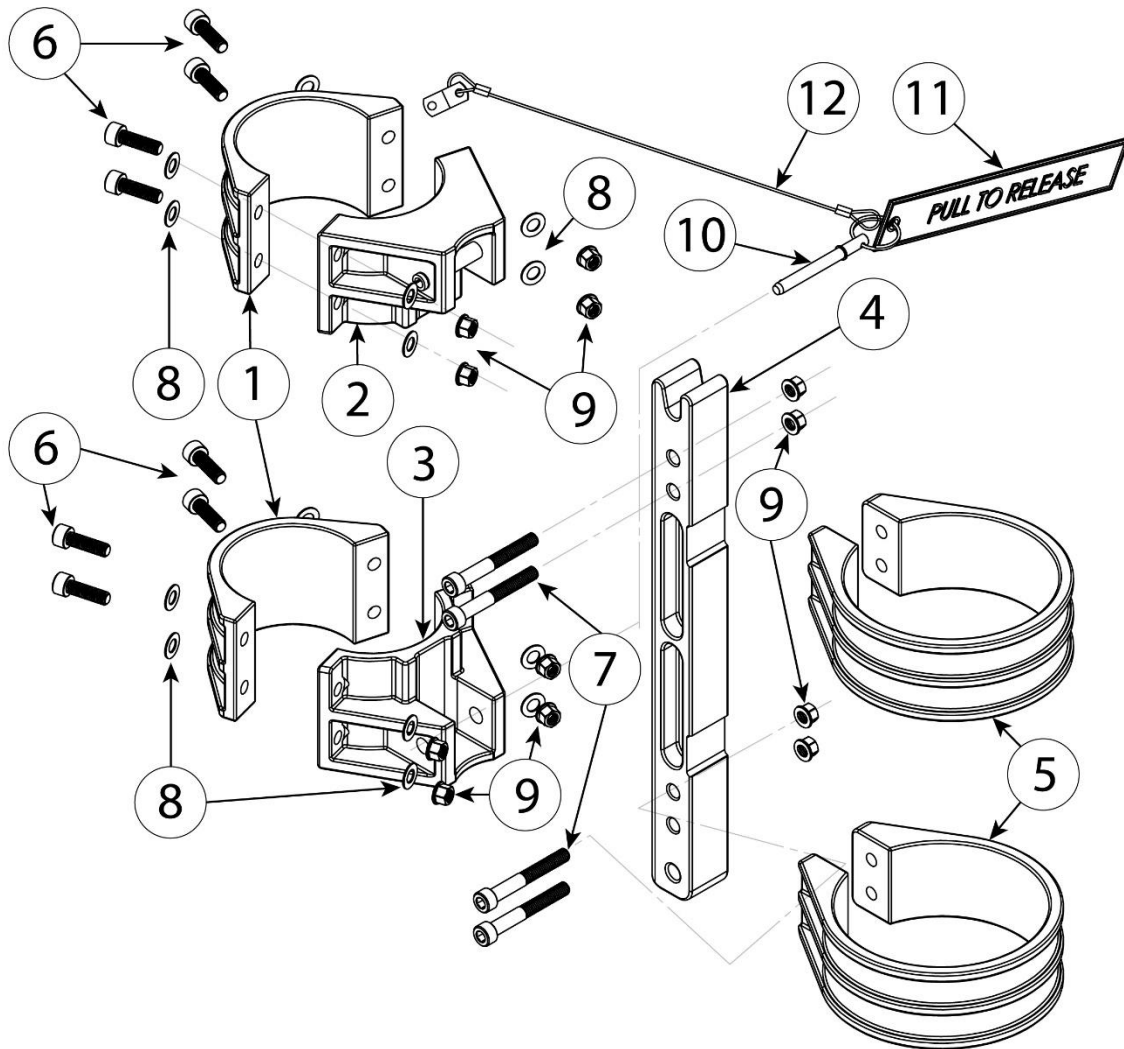
See product video at [www.h3rperformance.com](http://www.h3rperformance.com)



Product video

Thank you for your purchase! Our Extreme Duty bracket provides a secure way to install a fire extinguisher in your vehicle while allowing quick deployment.

**Illustrated Parts List**



Item No.	Part No.	Description	Qty.
1	RBM1	Roll Bar Mount half without pin or hole	2
2	RBM2	Roll Bar Mount half with pin	1
3	RBM3	Roll Bar Mount half with pin hole	1
4	NBB	Nylon Bracket Back	1
5	NS	Nylon Strap	2
6	RBSHCS	10-32 x 0.5" Stainless Socket Head Cap Screw*	8
7	SHCS	10-32 x 1.5" Stainless Socket Head Cap Screw*	4
8	WSH	#10 Washer	15
9	JNT	10-332 Jet Nut*	12
10	QRP	Quick Release Pin	1
11	FLG	"Pull to Release" Flag	1
12	LAN	Steel Wire Lanyard with Tab	1

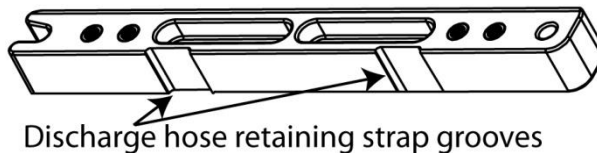
\*Tools needed for assembly: Item No. 6,7- 5/32" hex head wrench; Item No. 9 - thin wall 1/4" socket, 1/4" wrench

## Assembly and Installation Instructions

Install your fire extinguisher in a readily accessible location.

**WARNING: 1. Use hand tools. DO NOT OVER TIGHTEN. 2. When mounting your extinguisher in an other-than-vertical orientation, it is crucial that the extinguisher be mounted to the top of the roll bar to avoid it falling from the bracket when the quick-release pin is pulled. Vertical installations require that the Quick Release Pin be positioned at the base of the extinguisher for the same reason.**

1. Attach the **FLG** and the **LAN** to the **QRP**.
2. Snap the two **RBM1** to the roll bar about 9 inches apart.
3. Attach the **NBB** to **RBM2** and **RBM3**. The slotted end of the **NBB** should be inserted into the **RBM2** with the fixed pin (not the **RBM3** with the **QRP** hole), with the discharge hose retaining strap grooves positioned away from the roll bar.



4. Attach **RBM2** and **RBM3** to the two **RBM1** on the roll bar using 7 **RBSHCS**, 7 **JNT** and 14 **WSH**. Leave the upper right mounting hole free.
5. Attach the **LAN** to the upper right mounting hole using 1 **RBSHCS**, 1 **JNT** and 1 **WSH**.
6. Place the two **NS** around the fire extinguisher bottle. One **NS** should be positioned above the fire extinguisher label and the other just below the label. If the extinguisher has a discharge hose, the bottom **NS** should be located under the discharge hose retaining strap.
7. Remove the **NBB** from the roll bar assembly and position the **NBB** between the **NS** ends with the slotted end pointing upwards towards the extinguisher head.
8. If the extinguisher is equipped with a discharge hose, position the hose retaining strap to fit into the closest groove in the **NBB**.
9. Align the **NS** and the **NBB** so that the label is unobstructed.
10. Insert the four **SHCS** through the **NS** from the left side (farthest from the threaded brass inserts in the **NBB**). Thread the four **SHCS** into the **NBB** until the end just enters the second **NS** hole; then tighten all four **SHCS**.
11. Fasten the four **JNT** to the **SHCS**.
12. Test the fit of the Bracket/Fire extinguisher assembly in your desired location and make sure that the **QRP** and **FLG** are accessible and can be pulled out to release the extinguisher from the bracket.

**DISCLAIMER: A professional should install and/or inspect installation of this product. In no event may H3R Performance be held responsible for unsafe installation, inspection, testing, operation, and maintenance practices of users employing this product or for any property damage or personal injuries arising out of the use or handling of this product by anyone other than trained users having appropriate technical and mechanical expertise.**

**Limited Warranty**

H3R Performance, Inc. ("H3R") warrants this product for a period of one (1) year from the date of purchase to be free from defects in material and workmanship. During the warranty period any such defects will be repaired or the defective mount replaced. This warranty does not cover defects resulting from modification, alteration, misuse, exposure to corrosive conditions or improper installation or maintenance. ALL IMPLIED WARRANTIES, INCLUDING, BUT NOT LIMITED TO, WARRANTIES OF FITNESS FOR PURPOSE AND MERCHANTABILITY, ARE LIMITED TO THE TIME PERIODS STATED ABOVE. IN NO EVENT SHALL H3R BE LIABLE TO INCIDENTAL OR CONSEQUENTIAL DAMAGES. H3R neither assumes nor authorizes any representative or other person to assume for it, any obligation or liability other than as expressly set forth herein. This warranty gives you specific legal rights and you may have other rights which vary from state to state. To obtain performance of the obligation of this warranty, write to H3R Performance, Inc., 103 H Street, Petaluma, CA 94952, or email [H3Rinfo@H3RPerformance.com](mailto:H3Rinfo@H3RPerformance.com) for instructions.